



The SAP10e access point allows up to 10 BLE or Thread devices to be connected to a TCP/IP LAN network.

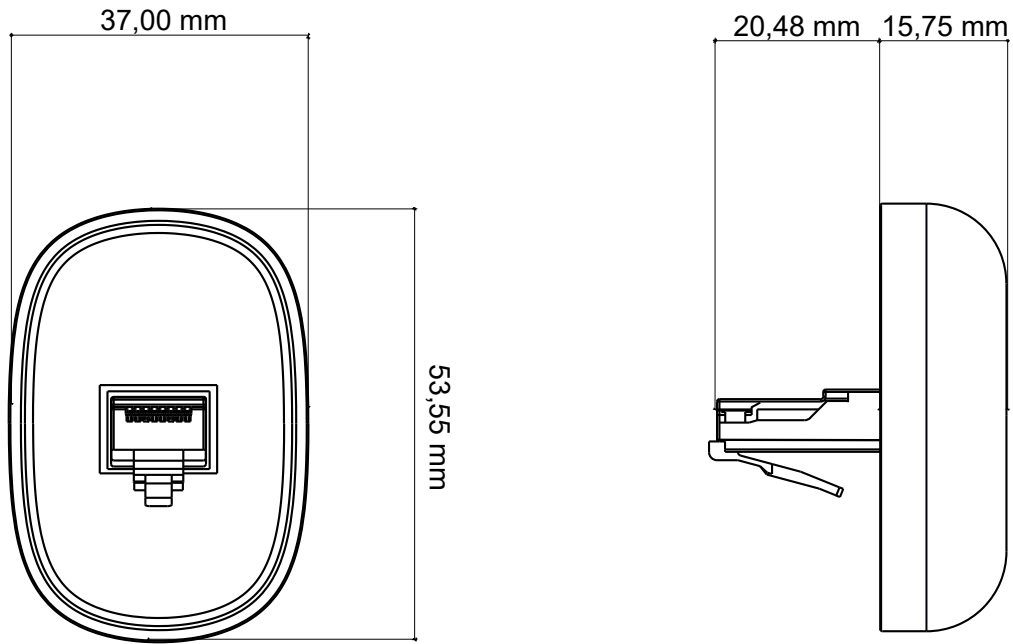
Connected directly to a powered RJ45 (PoE), its commissioning consists in pairing BLE or Thread devices using a web browser or a configuration file.



Strengths

Specification

<ul style="list-style-type: none"> ▪ Power Over Ethernet (PoE) ▪ RJ45 male integrated ▪ Very low power: 0,75W ▪ BLE 5 compliant ▪ Thread compliant ▪ Ready for Matter ▪ Modular firmware ▪ Open SDK for custom firmware 	<p>Settings :</p> <p>Web UI HTML5</p> <p>Protocols :</p> <p>HTTP(S), IPv4</p> <p>Processors :</p> <p>Nordic Semiconductor nRF52840 ARM CryptoCell 310</p> <p>Peripherals :</p> <p>1x male RJ45 PoE 802.3af</p> <p>Stockage :</p> <p>Internal Flash memory</p> <p>Software compatibility :</p> <p>REST API</p>	<p>Network :</p> <p>1x Ethernet 10/100 BaseT 1x Bluetooth 5 (long range BLE) 1x Thread</p> <p>Power supply :</p> <p>PoE 802.3af</p> <p>Environment :</p> <p>Temperature: 0 ~ 40°C</p> <p>Physical Characteristics :</p> <p>Weight: 35 gr Dimensions (WxHxD) : 37x53,55x15,75 mm</p> <p>Warranty :</p> <p>1 year (parts and labor)</p> <p>Manufacturer :</p> <p>Qeedji</p>
---	---	---



Ordering Information

Platform Reference	Description
SAP10E	BLE or Thread Border Router

